

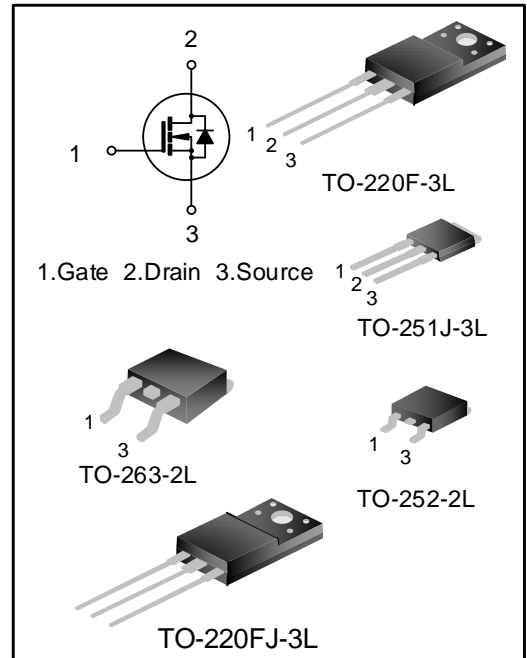
## 7A, 650V SUPER JUNCTION MOS POWER TRANSISTOR

### DESCRIPTION

SVS7N65D(F)(MJ)(FJ)(S)D2 is an N-channel enhancement mode high voltage power MOSFETs produced using Silan's super junction MOS technology. It achieves low conduction loss and switching losses. It leads the design engineers to their power converters with high efficiency, high power density, and superior thermal behavior. Furthermore, it's universal applicable, for example, it is suitable for hard and soft switching topologies, Lighting, Adapters, etc.

### FEATURES

- ◆ 7A, 650V,  $R_{DS(on)(typ.)}=0.55\Omega@V_{GS}=10V$
- ◆ New revolutionary high voltage technology
- ◆ Ultra low gate charge
- ◆ Enhanced avalanche capability
- ◆ Extreme dv/dt rated
- ◆ High peak current capability



### ORDERING INFORMATION

Part No.	Package	Marking	Hazardous substance control	Packing Type
SVS7N65DD2TR	TO-252-2L	SVS7N65DD2	Halogen free	Tape & Reel
SVS7N65FD2	TO-220F-3L	SVS7N65FD2	Halogen free	Tube
SVS7N65MJD2	TO-251J-3L	7N65MJD2	Halogen free	Tube
SVS7N65FJD2	TO-220FJ-3L	7N65FJD2	Halogen free	Tube
SVS7N65SD2	TO-263-2L	SVS7N65SD2	Halogen free	Tube
SVS7N65SD2TR	TO-263-2L	SVS7N65SD2	Halogen free	Tape & Reel

**ABSOLUTE MAXIMUM RATINGS (UNLESS OTHERWISE NOTED, T<sub>J</sub>=25°C)**

Characteristics	Symbol	Ratings			Unit
		SVS7N65DD2/ MJD2	SVS7N65FD2 /FJD2	SVS7N65SD2	
Drain-Source Voltage	V <sub>DS</sub>	650			V
Gate-Source Voltage	V <sub>GS</sub>	±30			V
Drain Current	I <sub>D</sub>	T <sub>C</sub> =25°C			A
		T <sub>C</sub> =100°C			
Drain Current Pulsed	I <sub>DM</sub>	28			A
Power Dissipation (T <sub>C</sub> =25°C) - Derate above 25°C	P <sub>D</sub>	60	30	83	W
		0.48	0.24	0.7	W/°C
Single Pulsed Avalanche Energy (Note 1)	E <sub>AS</sub>	261			mJ
Reverse diode dv/dt (Note 2)	dv/dt	15			V/ns
MOSFET dv/dt ruggedness (Note 3)	dv/dt	50			V/ns
Operation Junction Temperature Range	T <sub>J</sub>	-55~+150			°C
Storage Temperature Range	T <sub>stg</sub>	-55~+150			°C

**THERMAL CHARACTERISTICS**

Characteristics	Symbol	Ratings			Unit
		SVS7N65DD2/ MJD2	SVS7N65FD2 /FJD2	SVS7N65SD2	
Thermal Resistance, Junction-to-Case	R <sub>θJC</sub>	2.08	4.17	1.5	°C/W
Thermal Resistance, Junction-to-Ambient	R <sub>θJA</sub>	62.0	62.5	62.5	°C/W

**ELECTRICAL CHARACTERISTICS (UNLESS OTHERWISE NOTED,  $T_J=25^{\circ}\text{C}$ )**

Characteristics	Symbol	Test conditions	Min.	Typ.	Max.	Unit
Drain -Source Breakdown Voltage	$BV_{DSS}$	$V_{GS}=0V, I_D=250\mu A$	650	--	--	V
Drain-Source Leakage Current	$I_{DSS}$	$V_{DS}=650V, V_{GS}=0V$	--	--	1.0	$\mu A$
Gate-Source Leakage Current	$I_{GSS}$	$V_{GS}=\pm 30V, V_{DS}=0V$	--	--	$\pm 100$	nA
Gate Threshold Voltage	$V_{GS(th)}$	$V_{GS}=V_{DS}, I_D=250\mu A$	2.0	--	4.0	V
Static Drain- Source on State Resistance	$R_{DS(on)}$	$V_{GS}=10V, I_D=3.5A$	--	0.55	0.64	$\Omega$
Gate resistance	$R_g$	$f=1\text{MHz}$	--	7.0	--	$\Omega$
Input Capacitance	$C_{iss}$	$V_{DS}=100V, V_{GS}=0V,$ $f=1.0\text{MHz}$	--	423	--	pF
Output Capacitance	$C_{oss}$		--	27	--	
Reverse Transfer Capacitance	$C_{rss}$		--	1.9	--	
Turn-on Delay Time	$t_{d(on)}$	$V_{DD}=325V, I_D=7.0A,$ $V_{GS}=10V, R_G=24\Omega$ (Note 4,5)	--	10	--	ns
Turn-on Rise Time	$t_r$		--	29	--	
Turn-off Delay Time	$t_{d(off)}$		--	44	--	
Turn-off Fall Time	$t_f$		--	26	--	
Total Gate Charge	$Q_g$	$V_{DS}=520V, I_D=7.0A,$ $V_{GS}=10V$ (Note 4,5)	--	16	--	nC
Gate-Source Charge	$Q_{gs}$		--	3.6	--	
Gate-Drain Charge	$Q_{gd}$		--	8.3	--	

**SOURCE-DRAIN DIODE RATINGS AND CHARACTERISTICS**

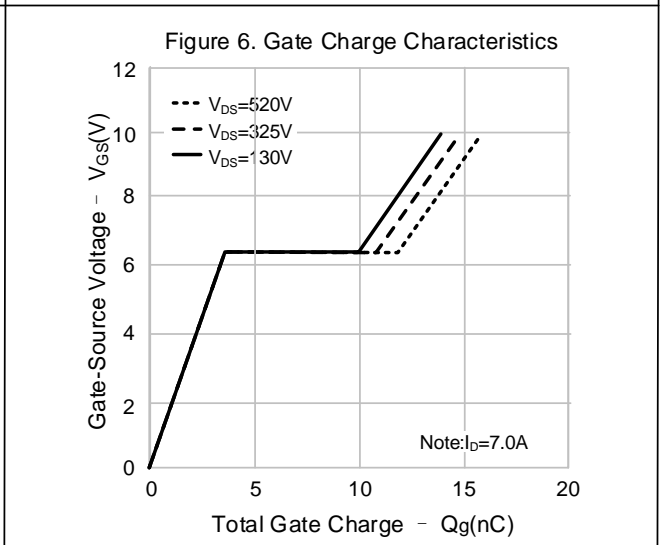
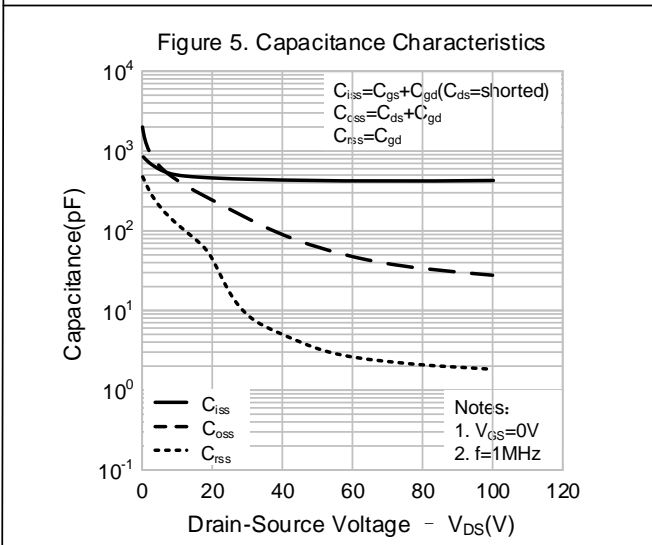
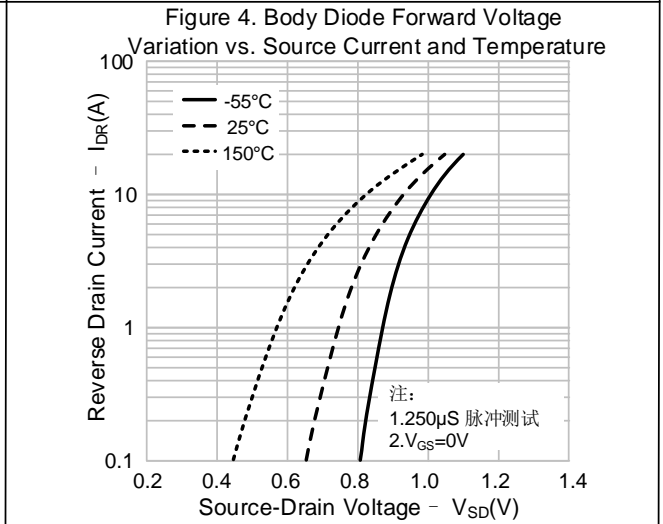
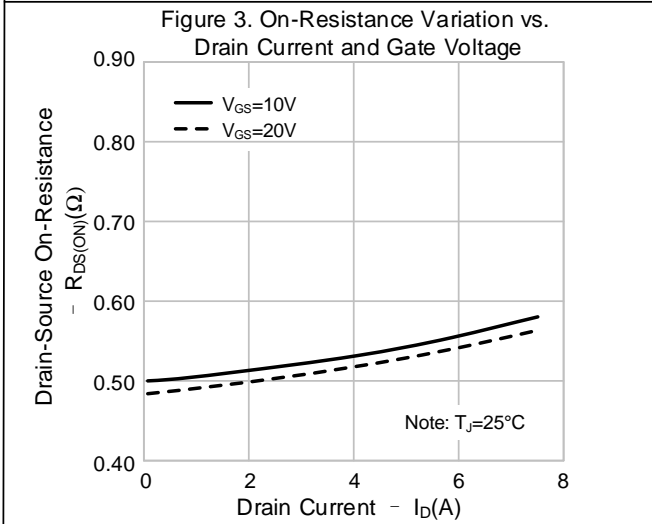
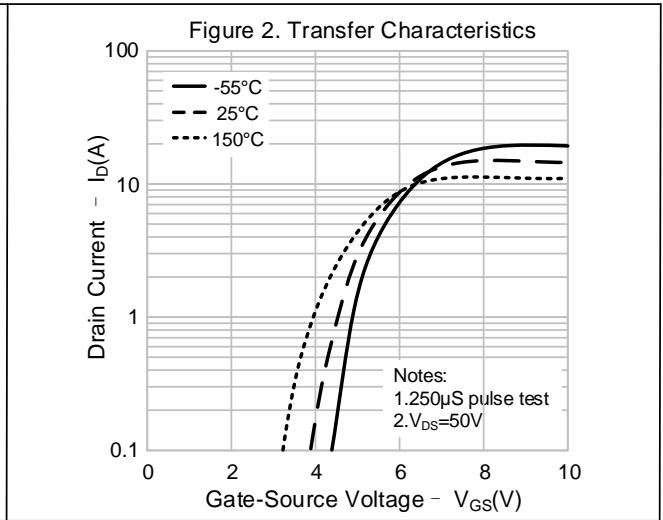
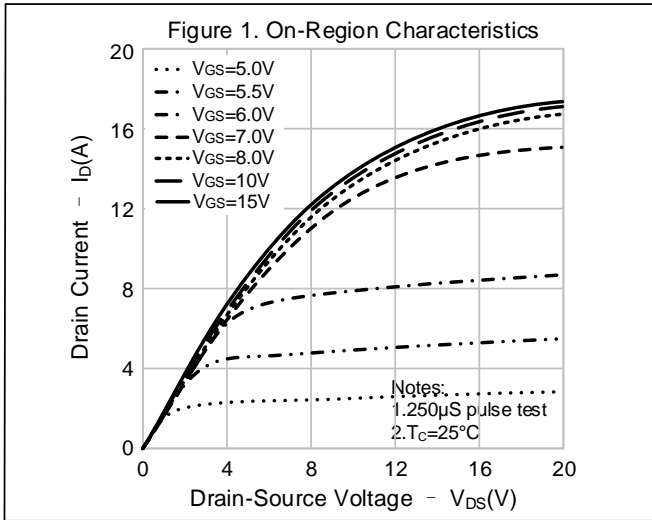
Characteristics	Symbol	Test conditions	Min.	Typ.	Max.	Unit
Continuous Source Current	$I_S$	Integral Reverse P-N Junction Diode in the MOSFET	--	--	7.0	A
Pulsed Source Current	$I_{SM}$		--	--	28	
Diode Forward Voltage	$V_{SD}$	$I_S=7.0A, V_{GS}=0V$	--	--	1.4	V
Reverse Recovery Time	$T_{rr}$	$I_S=7.0A, V_{GS}=0V,$ $dI_F/dt=100A/\mu s$ (Note 4)	--	346	--	ns
Reverse Recovery Charge	$Q_{rr}$		--	2.5	--	$\mu C$

**Notes:**

1.  $L=79\text{mH}, I_{AS}=2.4A, V_{DD}=100V, R_G=25\Omega,$  starting temperature  $T_J=25^{\circ}\text{C}$ ;
2.  $V_{DS}=0\sim 400V, I_{SD}\leq 7.0A, T_J=25^{\circ}\text{C}$ ;
3.  $V_{DS}=0\sim 480V$ ;
4. Pulse Test: Pulse width  $\leq 300\mu s,$  Duty cycle  $\leq 2\%$ ;
5. Essentially independent of operating temperature.



TYPICAL CHARACTERISTICS



**TYPICAL CHARACTERISTICS (CONTINUED)**

Figure 7. Breakdown Voltage Variation vs. Temperature

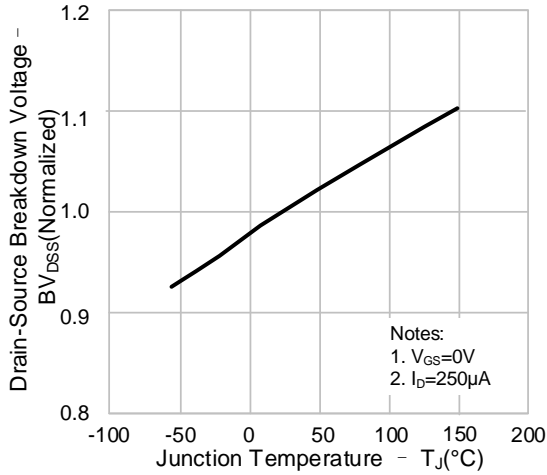


Figure 8. On-resistance Variation vs. Temperature

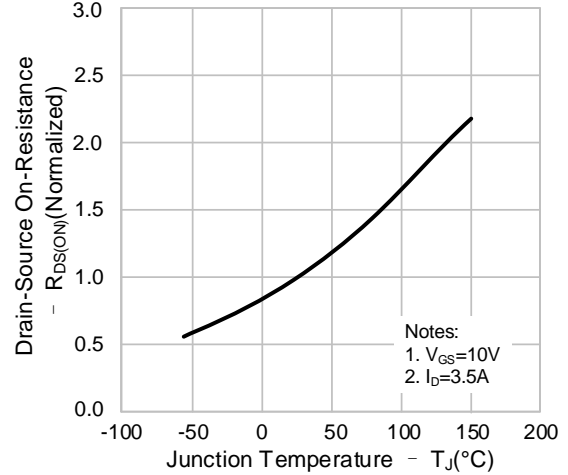


Figure 9-1. Max. Safe Operating Area (SVS7N65DD2/MJD2)

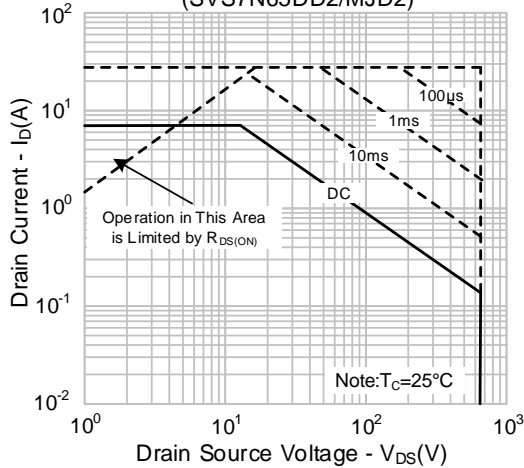


Figure 9-2. Max. Safe Operating Area (SVS7N65FD2/FJD2)

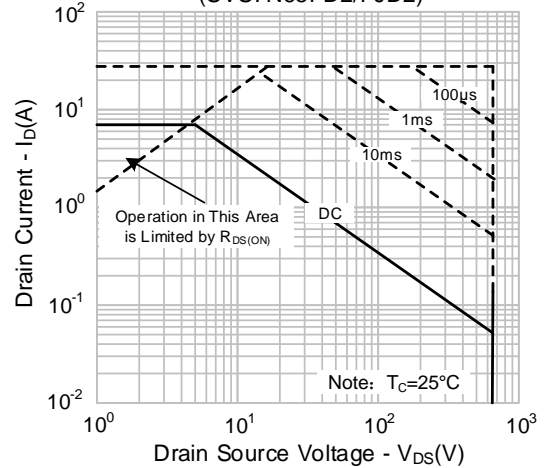
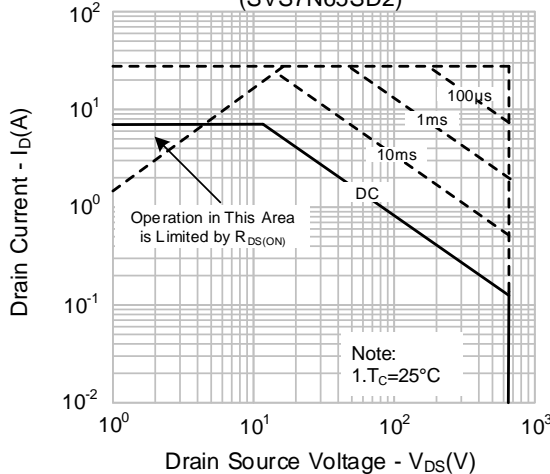
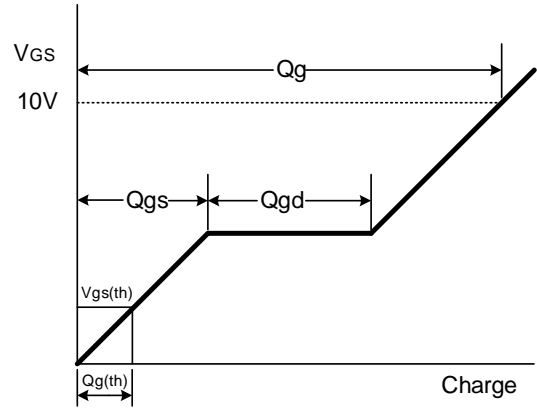
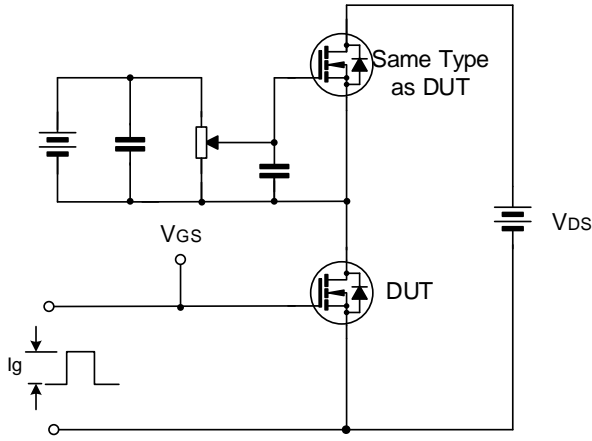


Figure 9-3. Max. Safe Operating Area (SVS7N65SD2)

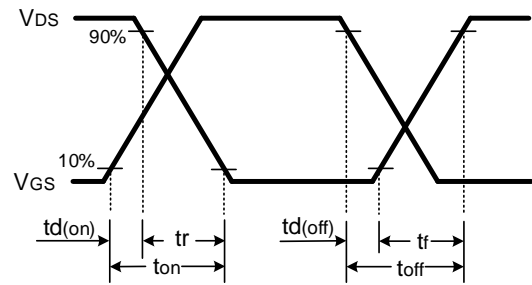
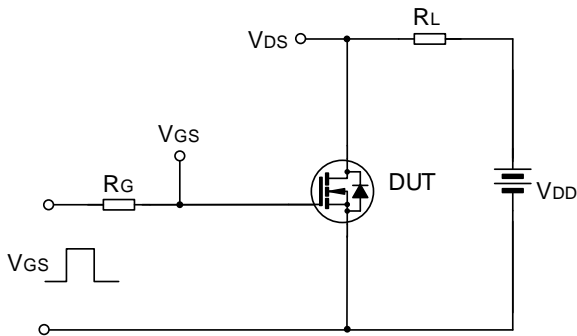


**TYPICAL TEST CIRCUIT**

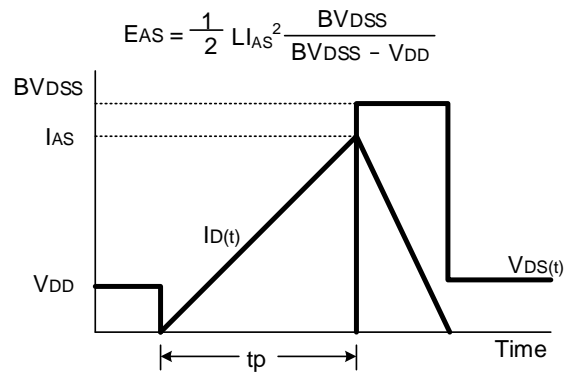
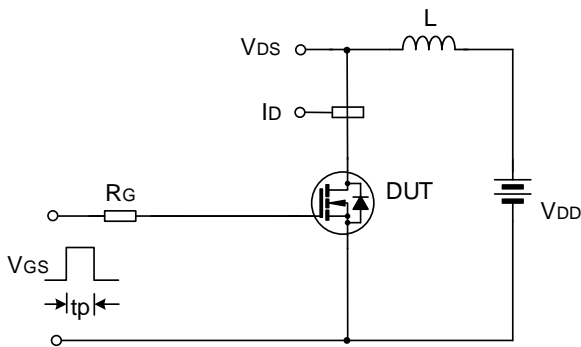
Gate Charge Test Circuit & Waveform



Resistive Switching Test Circuit & Waveform

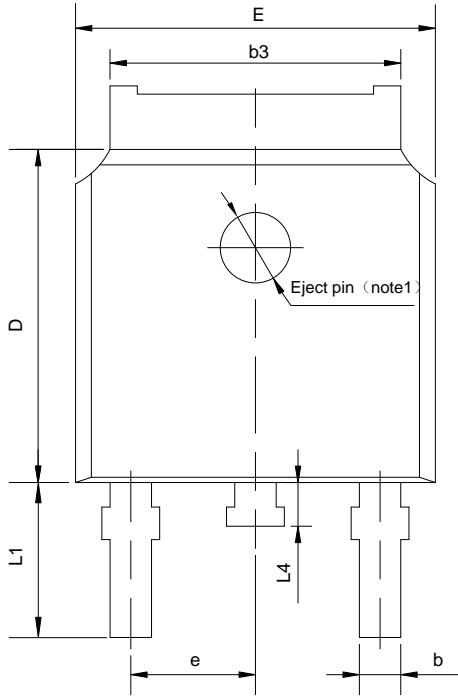


Undamped Inductive Switching Test Circuit & Waveform



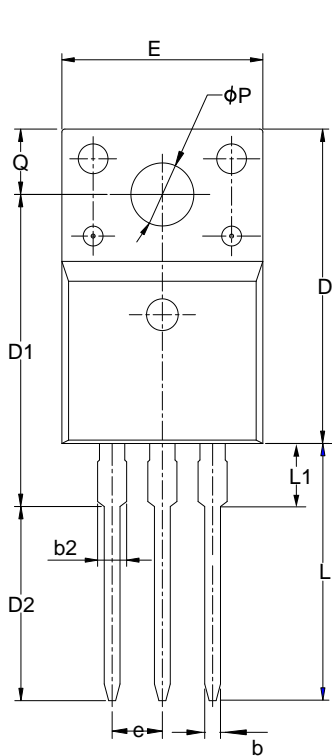
**PACKAGE OUTLINE**

**TO-252-2L UNIT: mm**



SYMBOL	MILLIMETER		
	MIN	NOM	MAX
A	2.10	2.30	2.50
A1	0	—	0.127
b	0.66	0.76	0.89
b3	5.10	5.33	5.46
c	0.45	—	0.65
c2	0.45	—	0.65
D	5.80	6.10	6.40
E	6.30	6.60	6.90
e	2.30TYP		
H	9.60	10.10	10.60
L	1.40	1.50	1.70
L1	2.90REF		
L4	0.60	0.80	1.00

**TO-220F-3L UNIT: mm**

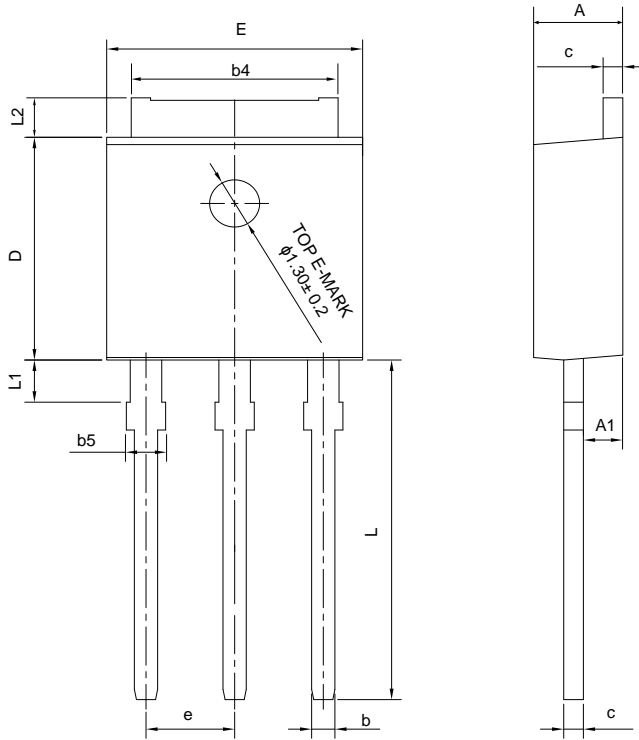


SYMBOL	MILLIMETER		
	MIN	NOM	MAX
A	4.42	4.70	5.02
A1	2.30	2.54	2.80
A3	2.50	2.76	3.10
b	0.70	0.80	0.90
b2	—	—	1.47
c	0.35	0.50	0.65
D	15.25	15.87	16.25
D1	15.30	15.75	16.30
D2	9.30	9.80	10.30
E	9.73	10.16	10.36
e	2.54BSC		
H1	6.40	6.68	7.00
L	12.48	12.98	13.48
L1	—	—	3.50
$\phi P$	3.00	3.18	3.40
Q	3.05	3.30	3.55

**PACKAGE OUTLINE(CONTINUED)**

**TO-251J-3L**

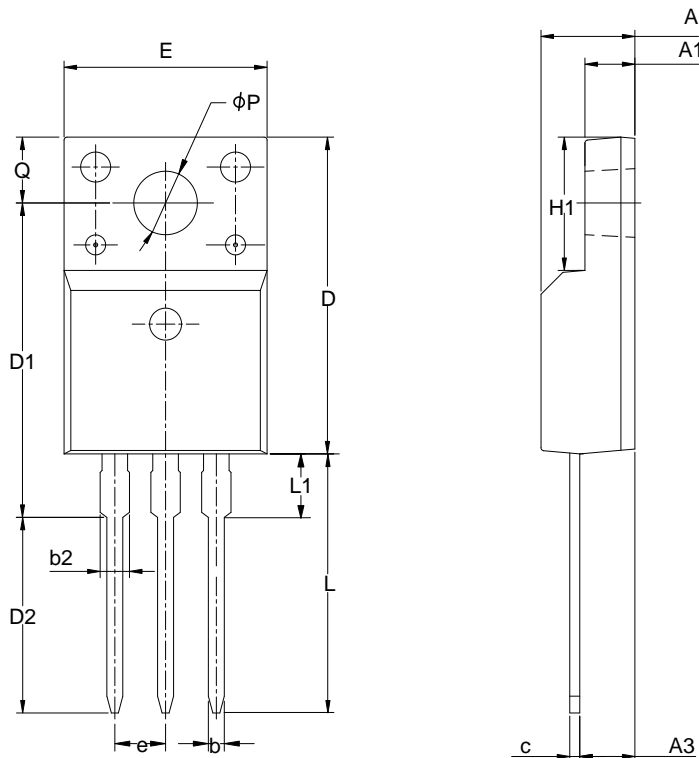
**UNIT: mm**



SYMBOL	MILLIMETER		
	MIN	NOM	MAX
A	2.18	2.30	2.39
A1	0.89	1.00	1.14
b	0.56	—	0.89
b4	4.95	5.33	5.46
b5	—	—	1.05
c	0.46	—	0.61
D	5.97	6.10	6.27
E	6.35	6.60	6.73
e	2.29 BCS		
L	8.89	9.30	9.65
L1	0.95	—	1.50
L2	0.89	—	1.27

**TO-220FJ-3L**

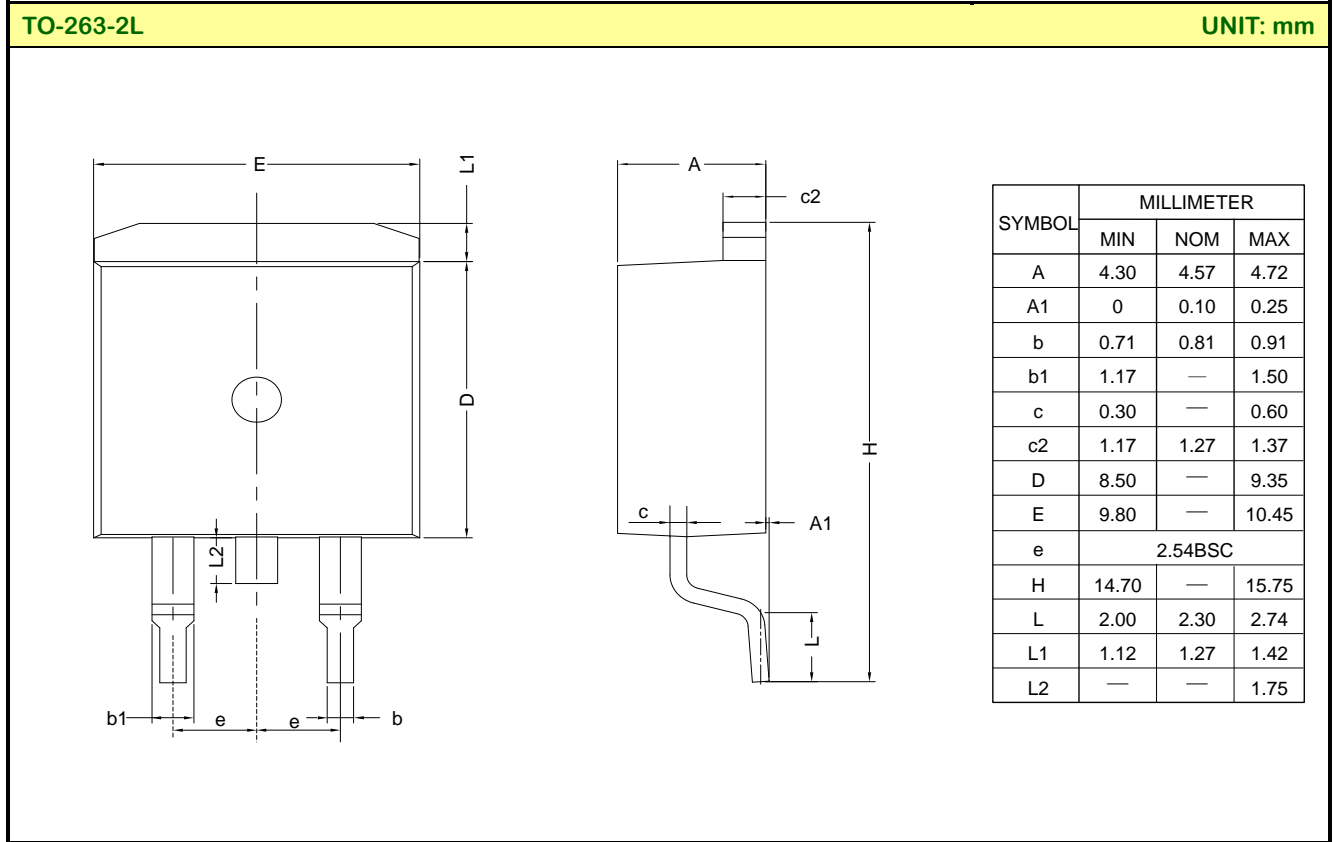
**UNIT: mm**



SYMBOL	MILLIMETER		
	MIN	NOM	MAX
A	4.42	4.70	5.02
A1	2.30	2.54	2.80
A3	2.50	2.76	3.10
b	0.55	0.70	0.85
b2	—	—	1.29
c	0.35	0.50	0.65
D	15.25	15.87	16.25
D1	13.97	14.47	14.97
D2	10.58	11.08	11.58
E	9.73	10.16	10.36
e	2.54 BSC		
H1	6.40	6.68	7.00
L	12.48	12.98	13.48
L1	—	—	2.00
$\phi P$	3.00	3.18	3.40
Q	3.05	3.30	3.55



**PACKAGE OUTLINE(CONTINUED)**



**Important notice :**

1. The instructions are subject to change without notice !
2. Customers should obtain the latest relevant information before placing orders and should verify that such information is complete and current. Please read the instructions carefully before using our products, including the circuit operation precautions.
3. Our products are consumer electronic products or the other civil electronic products.
4. When using our products, please do not exceed the maximum rating of the products, otherwise the reliability of the whole machine will be affected. There is a certain possibility of failure or malfunction of any semiconductor product under specific conditions. The buyer is responsible for complying with safety standards and taking safety measures when using our products for system design, sample and whole machine manufacturing, so as to avoid potential failure risk that may cause personal injury or property loss.
5. It is strongly recommended to identify the trademark when buying our products. Please contact us if there is any question.
6. Product promotion is endless, our company will wholeheartedly provide customers with better products!
7. Website: <http://www.silan.com.cn>



---

Part No.: SVS7N65D(F)(MJ)(FJ)(S)D2

Document Type: Datasheet

Copyright: HANGZHOU SILAN MICROELECTRONICS CO.,LTD

Website: <http://www.silan.com.cn>

---

Rev.: 1.7

Revision History:

1. Add package of SVS7N65SD2(TO-263-2L)
- 

Rev.: 1.6

Revision History:

1. Update Electrical schematic and Typical Test circuit
  2. Add  $R_G$
  3. Update the template of the datasheet
- 

Rev.: 1.5

Revision History:

1. Modify THERMAL CHARACTERISTICS
  2. Add dv/dt of ABSOLUTE MAXIMUM RATINGS
- 

Rev.: 1.4

Revision History:

1. Add the package outline of TO-220FJ-3L
  2. Modify Electrical characteristics
  3. Modify Ordering information
- 

Rev.: 1.3

Revision History:

1. Add the package outline of TO-251J-3L
- 

Rev.: 1.2

Revision History:

1. Modify characteristics of value Q
  2. Update Fig 5 and 6
- 

Rev.: 1.1

Revision History:

1. Add package outline of TO-220F-3L
  2. Add Figure9-2
- 

Rev.: 1.0

Revision History:

1. First release
-